



Types of Installation

Types of Installation

The elevator installation is conditioned by two variables:

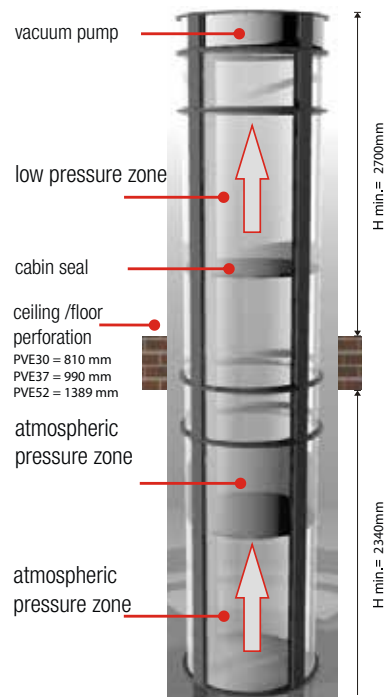
1. Minimum level of disparity

- Split unit * Minimum level of disparity 2450mm
- Head unit * Minimum level of disparity 2700mm

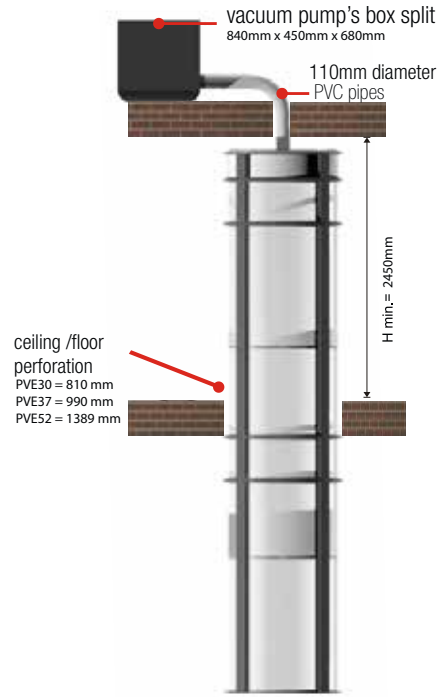
2. Landing accommodations

- Balcony: Balcony band for additional stability/safety
- Through floors: Required finished through-floor penetration(s)

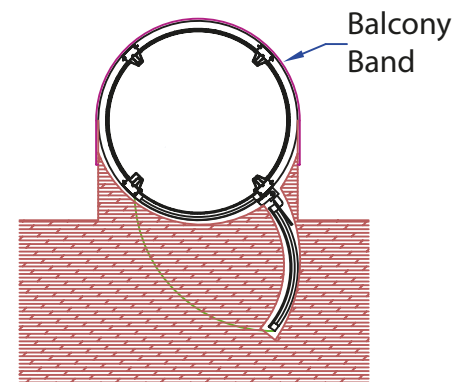
Head Unit - Standard



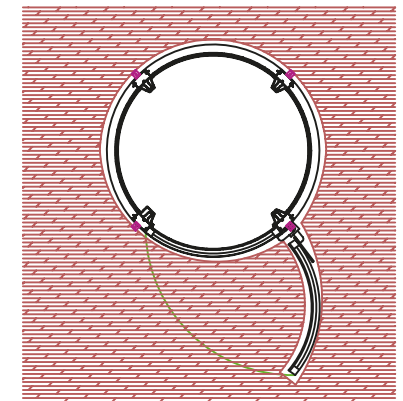
Split Unit



Balcony



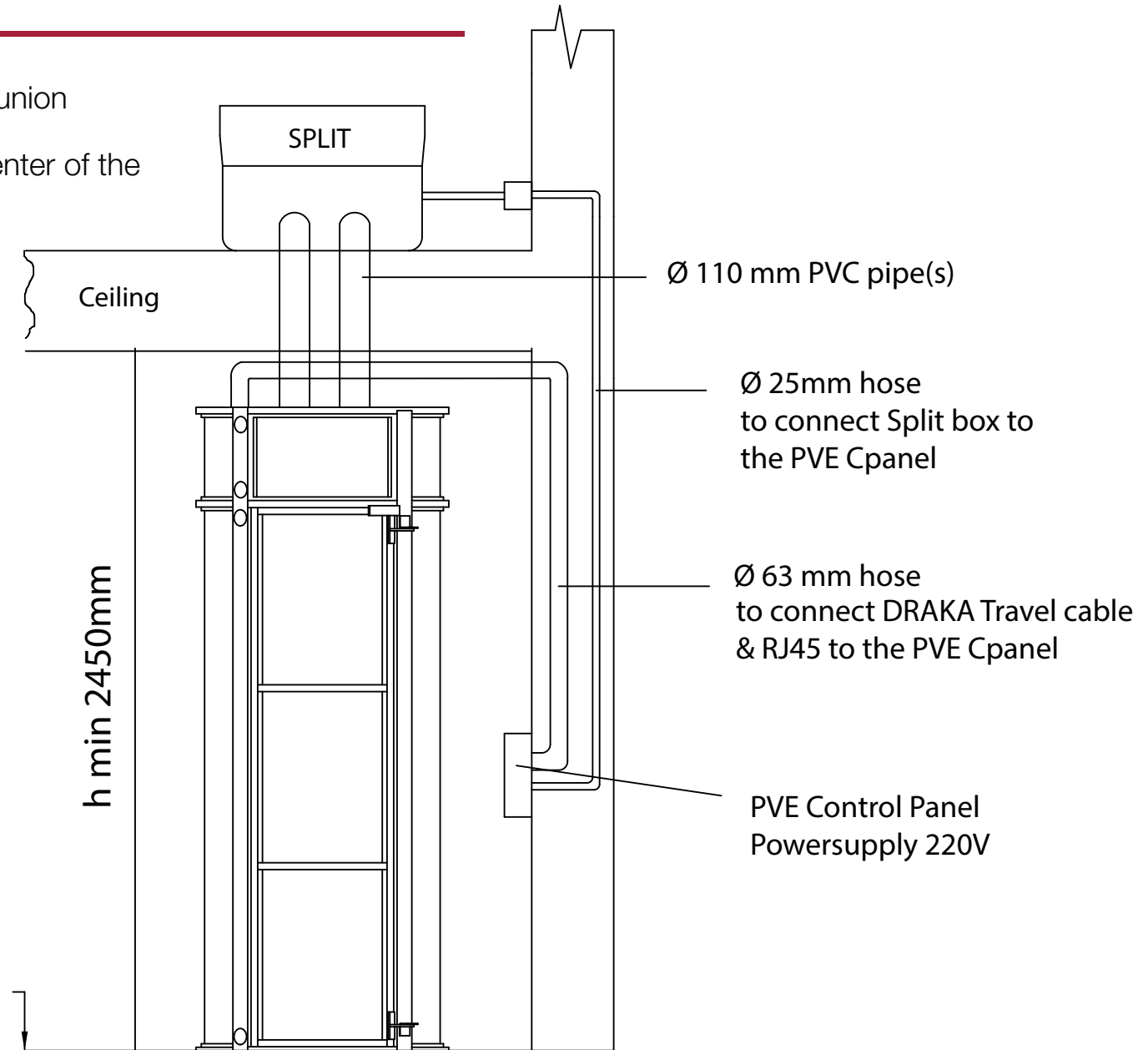
Through Floors



1. Disparity lower to 2550mm

Model A) Perforation of ceiling. Direct union

Make a hole in ceiling directly in the center of the elevator. Minimum level of disparity is 2450mm.



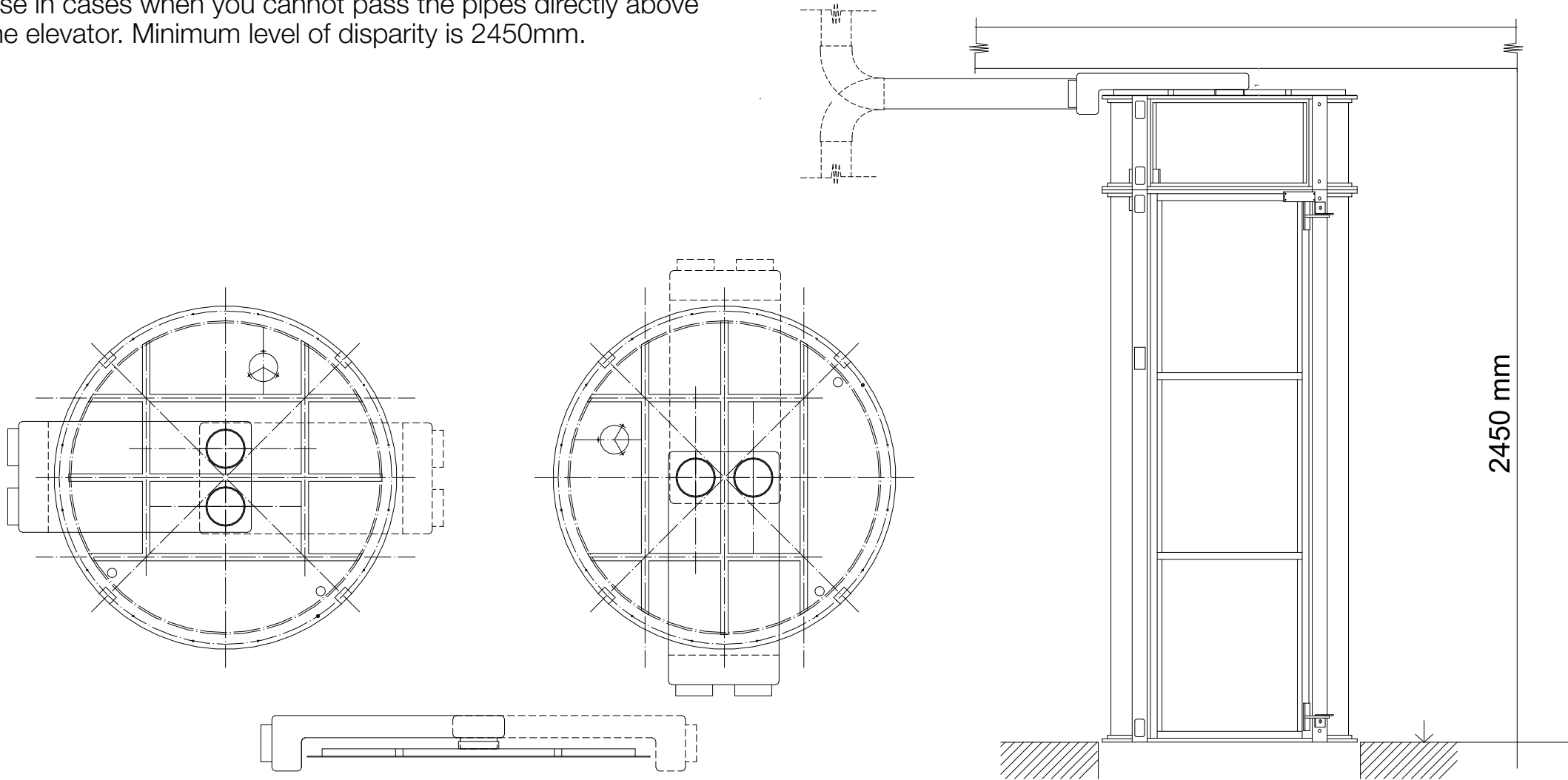
For PVE30 model = (1) Ø 110mm PVC pipe
 For PVE37 model = (2) Ø 110mm PVC pipes
 For PVE52 model = (2) Ø 110mm PVC pipes

* Applies to any type of Split unit installation.

1. Disparity lower to 2550mm

Model B) Split Unit Side Adaptor

Use in cases when you cannot pass the pipes directly above the elevator. Minimum level of disparity is 2450mm.



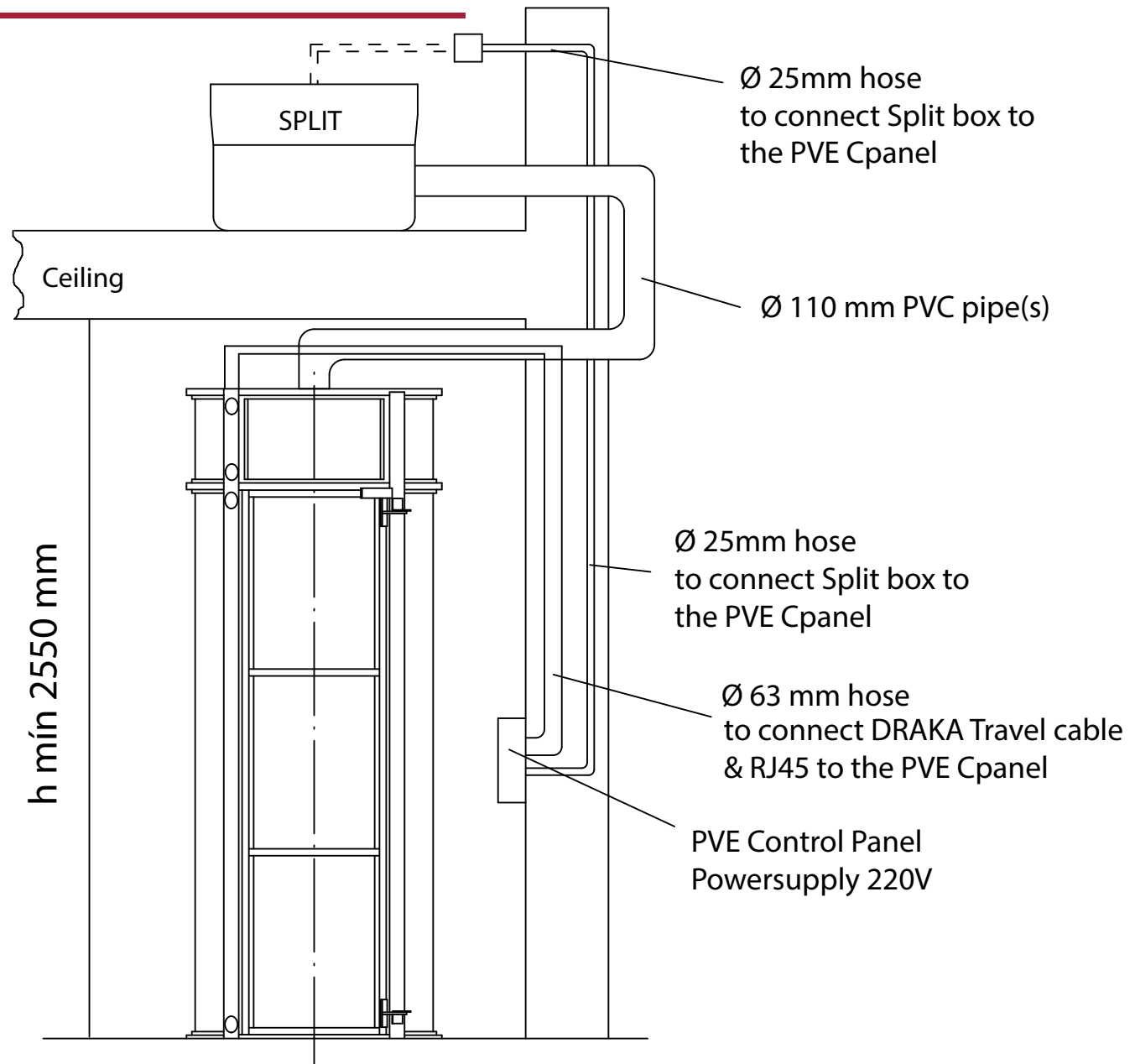
2. Disparity lower to 2700mm

Model C)

Use in cases when you cannot pass the pipes directly above the elevator.

This avoids having to put a hole in the roof by installing it against a wall outside.

Minimum level of disparity 2550mm.

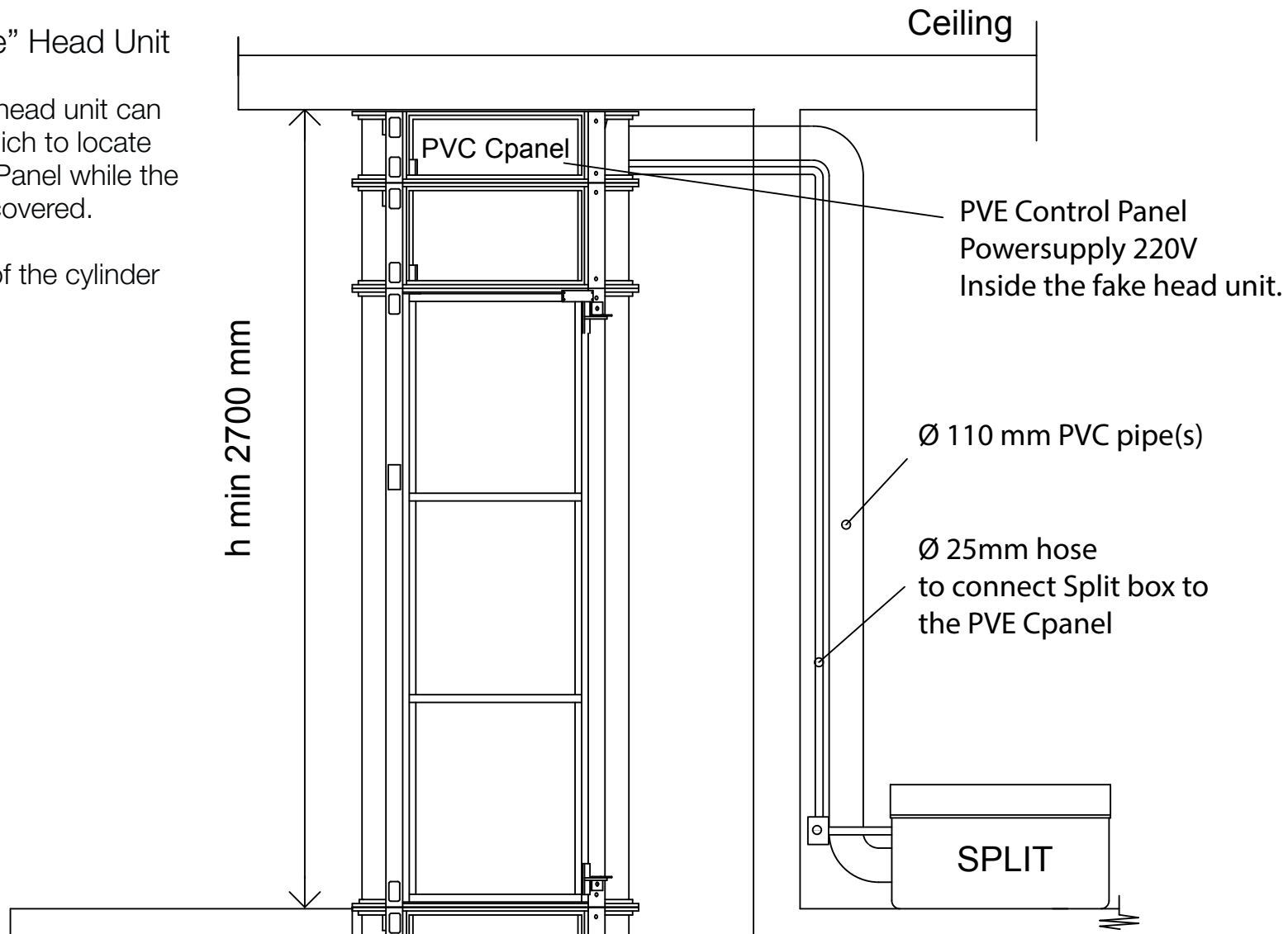


3. Disparity equal to or greater than 2700mm

Model D) "Fake" Head Unit

A "fake" (empty) head unit can be installed in which to locate the PVE Control Panel while the PVC pipe(s) are covered.

The total height of the cylinder is 2700mm.



3. Disparity equal to or greater than 2700mm

Model E)

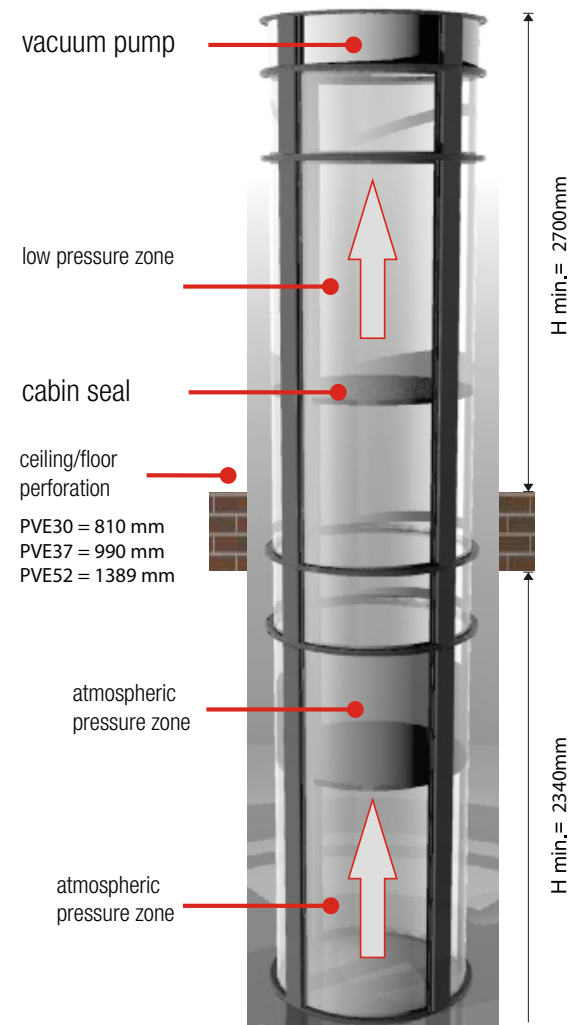
Head Unit - Standard

In the head unit configuration, the vacuum system is located directly on top of the upper floor vertical cylinder of the pneumatic vacuum elevator.

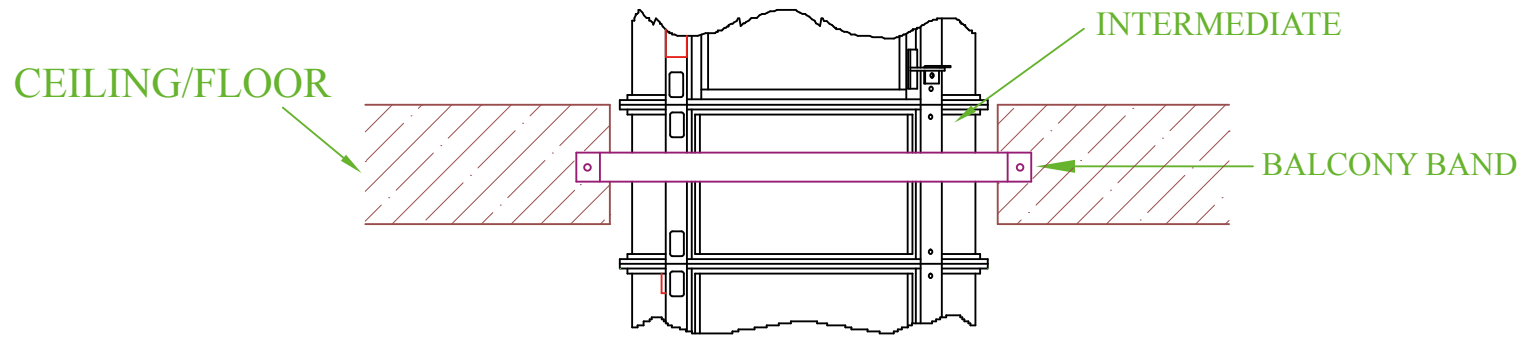
The electrical control panel is inside, and the only installation requirements are to connect to a 220v outlet near the machinery.

This format is best in homes that have sufficient height on the top floor.

(Minimum height for installation 2700mm)



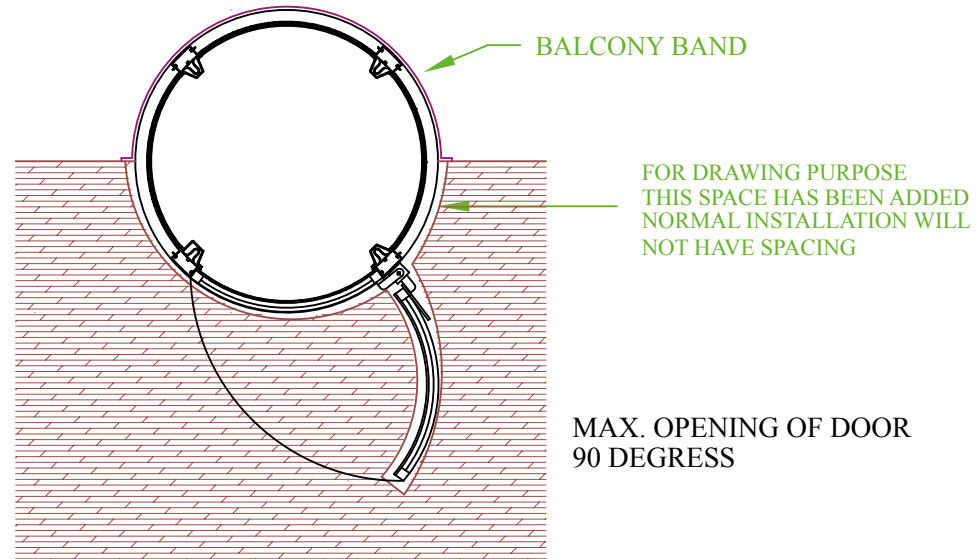
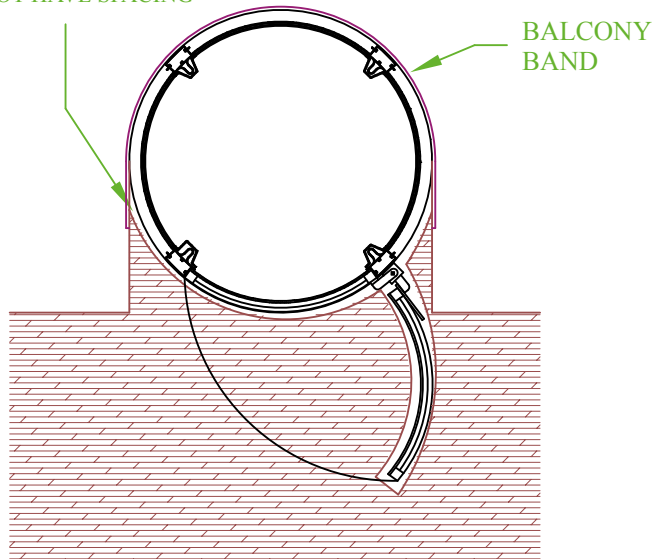
4. Balcony



MOUNT SAMPLE 1

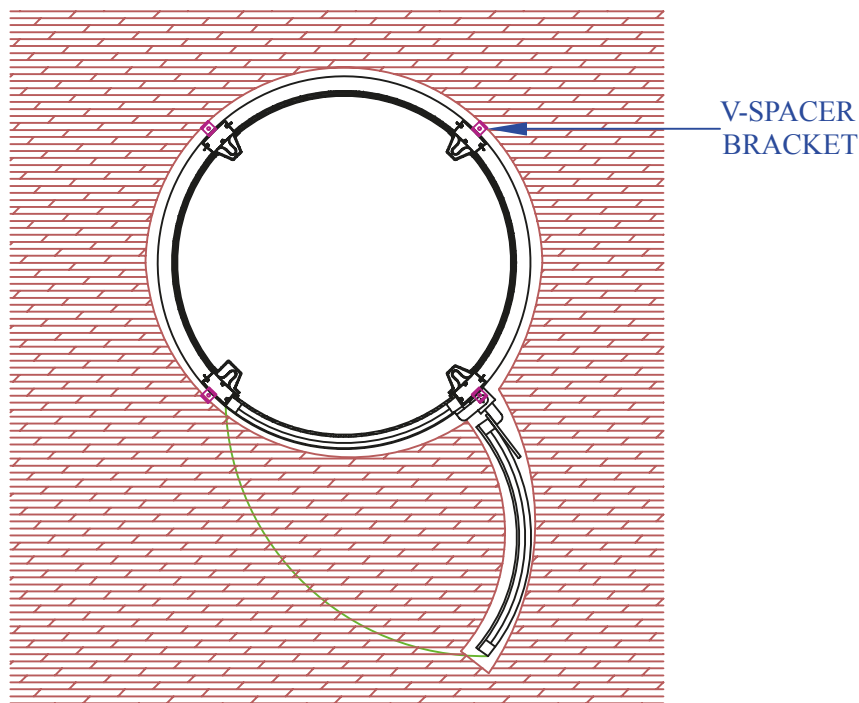
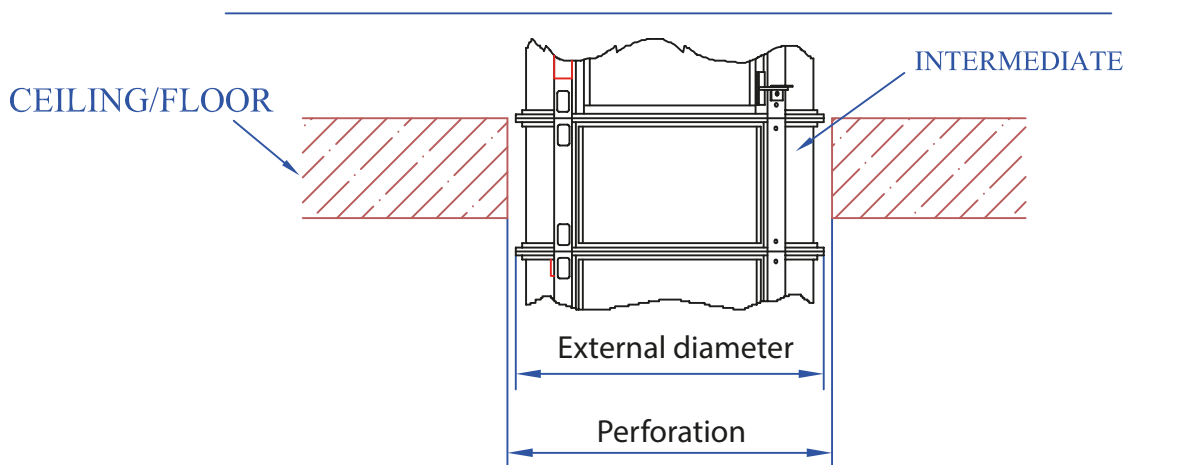
MOUNT SAMPLE 2

FOR DRAWING PURPOSE
THIS SPACE HAS BEEN ADDED
NORMAL INSTALLATION WILL
NOT HAVE SPACING



5. Through Floor

(TYPICAL OF FLOOR PENETRATION)



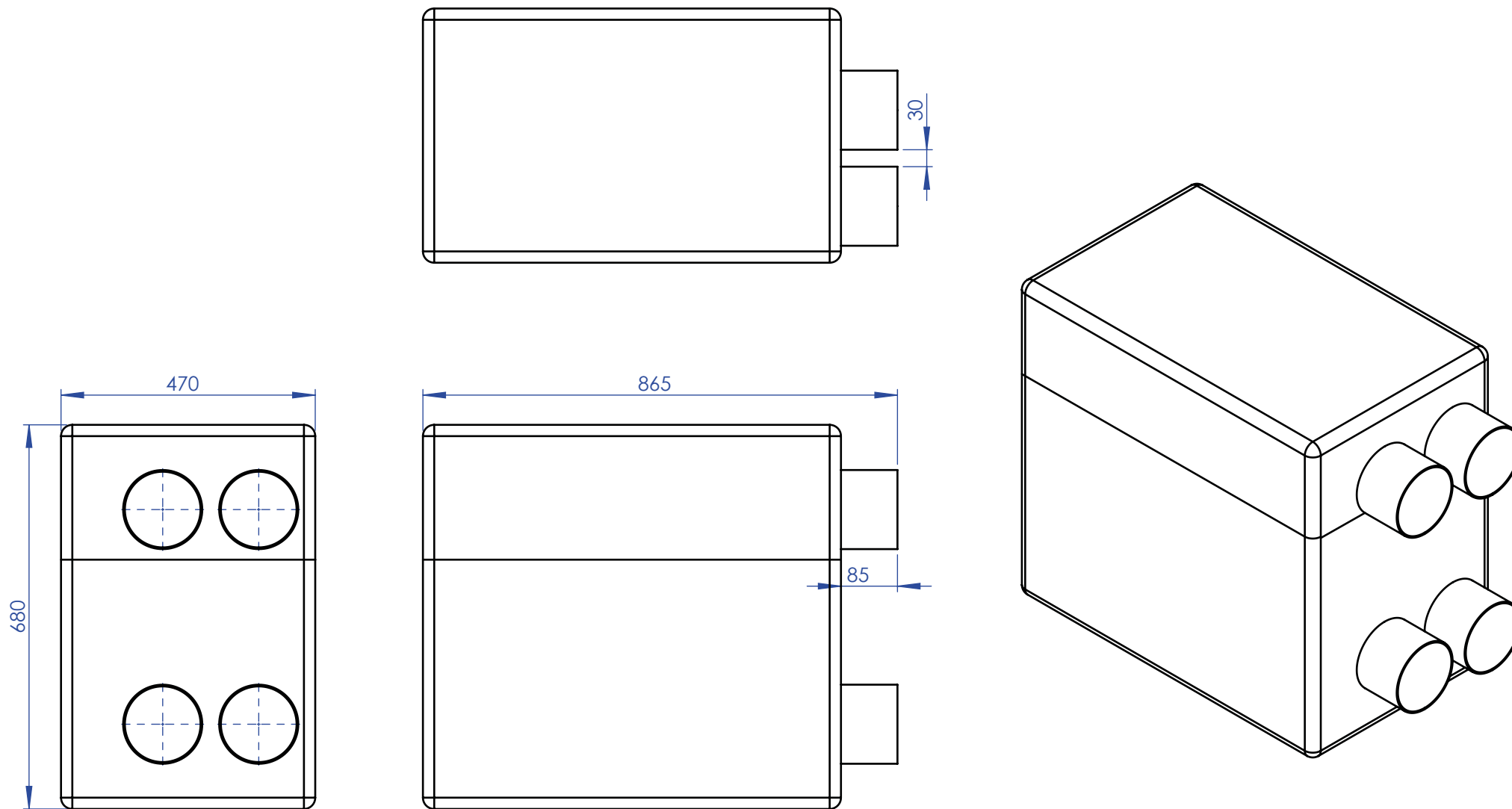
A. Ø External
PVE30 750mm
PVE37 933mm
PVE52 1316mm

B. Ø Perforation
PVE30 810mm
PVE37 990mm
PVE52 1389mm



- If necessary, box frame the joists for structural stability
- Finish interior of hole because it will be visible.
- V-Spacers for stability between column and hole interior.
- Trim rings for both floor and ceiling

6. Split





PVE30 White (Standard Color)

Staircase & Through floors

C/ Bronce Nro 30-31 Nave 3 | Polígono Ind. Gestesa | 28890 Loeches, Madrid (SPAIN)
Telephone / fax: +34 91 886 75 39 | Mobile: +34 608 502 217
www.vacuumelevators.eu | info@vacuumelevators.eu



PVE37 Nave Gray (Standard Color)



Apartment. Balcony and landing accommodation

C/ Bronce Nro 30-31 Nave 3 | Polígono Ind. Gestesa | 28890 Loeches, Madrid (SPAIN)

Telephone / fax: +34 91 886 75 39 | Mobile: +34 608 502 217

www.vacuumelevators.eu | info@vacuumelevators.eu



PVE37 Light Gray (Special Color)

Installation through floors.

C/ Bronce Nro 30-31 Nave 3 | Polígono Ind. Gestesa | 28890 Loeches, Madrid (SPAIN)

Telephone / fax: +34 91 886 75 39 | Mobile: +34 608 502 217

www.vacuumelevators.eu | info@vacuumelevators.eu

PVE52 Black (Special Color)



Commercial application. Installation through floors

PVE52 Taupe (Special Color)



Head Unit. Staircase, balcony & through floors



pve[®]

Pneumatic Vacuum Elevators and Lifts S.L.
C/ Bronce Nro 30-31 Nave 3
Polígono Ind. Gestesa
28890 Loeches, Madrid (SPAIN)
Telephone/ fax: +34 91 886 75 39
Mobile: +34 608 502 217
www.vacuumelevators.eu
info@vacuumelevators.eu

More information at www.vacuumelevators.eu