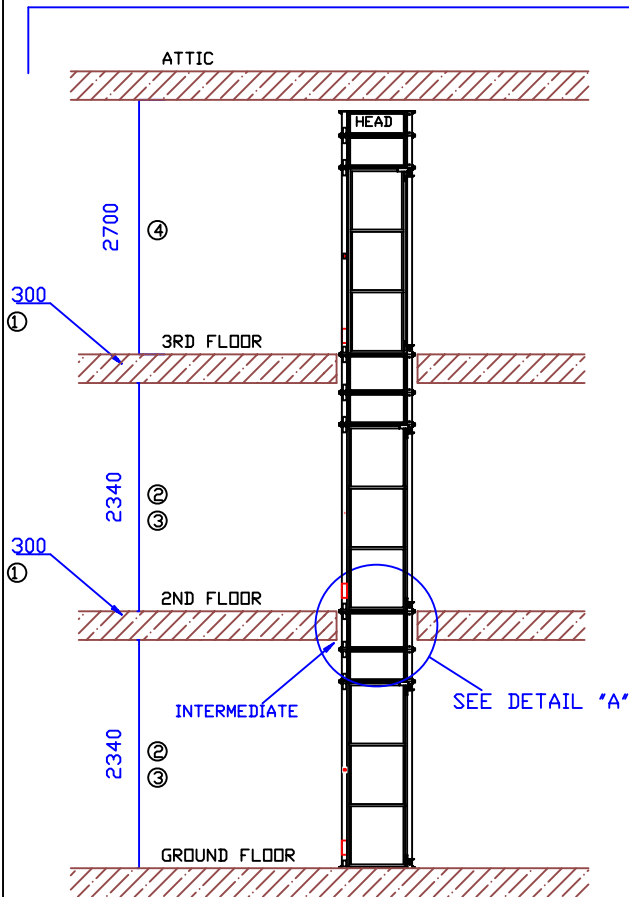
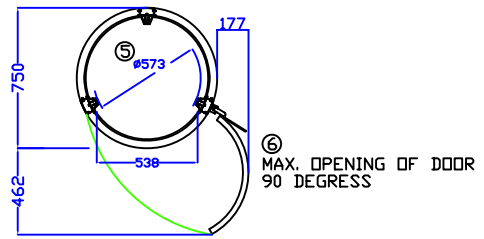


TYPICAL SETUP

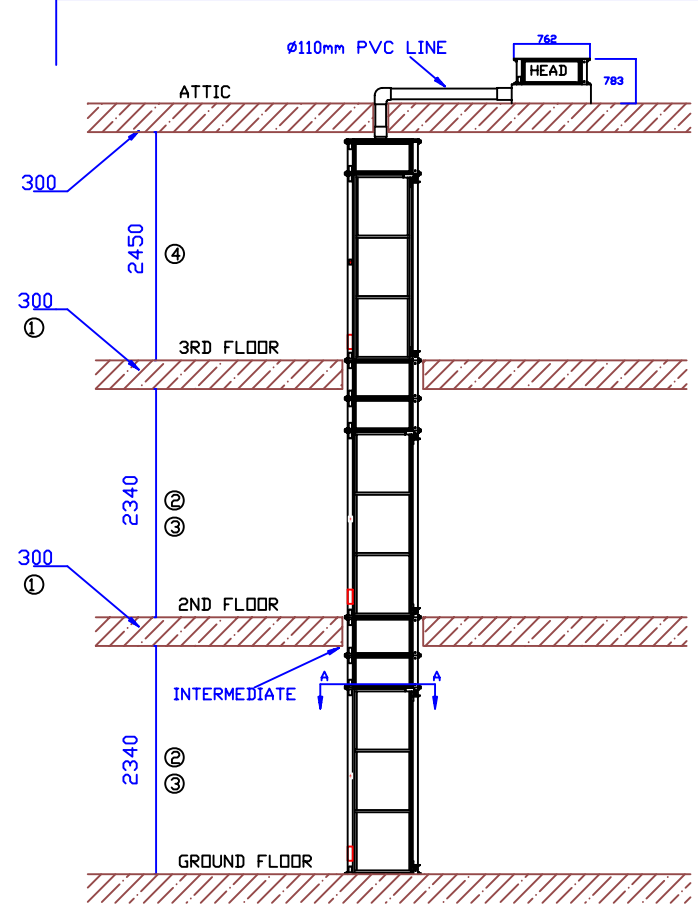


- NOTE:
- ① INTERMEDIATE CYLINDER IS CUSTOM MADE AS FLOOR THICKNESS MAY VARY FROM HOME TO HOME.
 - ② INTERMEDIATE CYLINDER IS CUSTOM MADE AS ROOM HEIGHT MAY VARY FROM HOME TO HOME.
 - ③ MINIMUM ALLOWABLE HEIGHT IS 2340mm
 - ④ MINIMUM ALLOWABLE HEIGHT AS SHOWN FOR THIS TYPE OF INSTALLATION
 - ⑤ INTERNAL DIAMETER OF CABIN WITHOUT THE COLUMNS IS 640mm AND THE INTERNAL CABIN HEIGHT IS 2007mm
 - ⑥ DOOR WIDTH IS 508mm
 - ⑦ MAX. ELEVATOR HEIGHT IS 10m

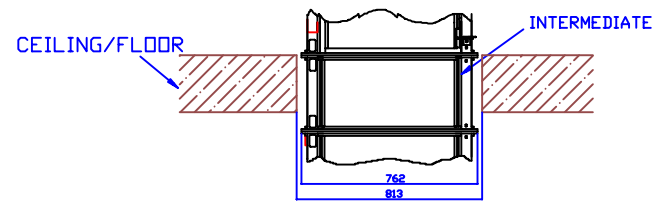
VIEW "A-A"
SCALE 2:1



OPTION: REMOTE LOCATION OF HEAD UNIT



DETAIL "A"
(TYPICAL OF FLOOR PENETRATION)



Information contain herein is the property of Pneumatic Vacuum Elevators LLC. No reproduction or disclosure of this information may be made by the recipient to any person or organization without the written consent of Pneumatic Vacuum Elevators LLC.

	TYPICAL HOME INSTALLATION FOR A 3STOP ELEVATOR				
	Designed by HS	Scale 1:1	Drawing No. D-30-3CYL3	Rev 0	Date 04/10/12