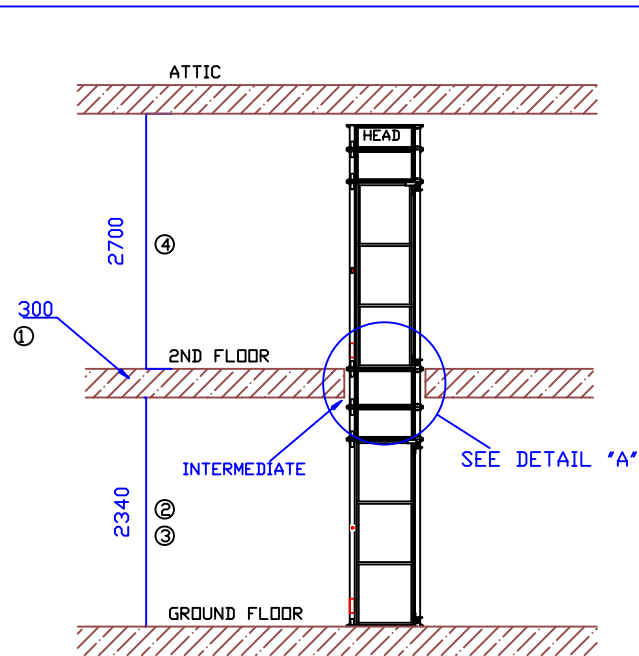
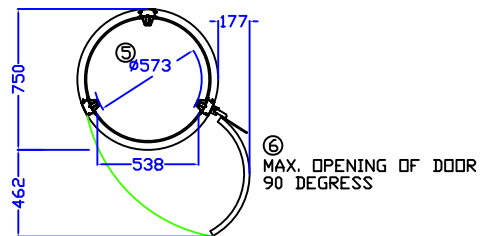


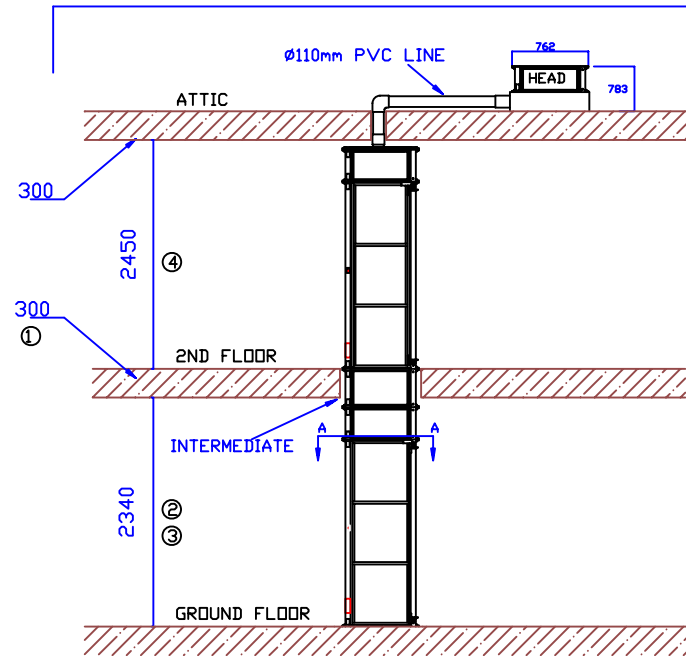
### TYPICAL SETUP



VIEW "A-A"  
SCALE 2:1



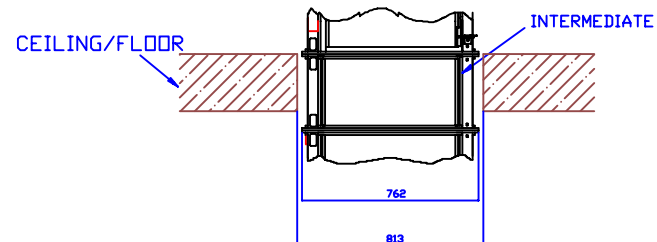
### OPTION: REMOTE LOCATION OF HEAD UNIT




**NOTE:**

- ① INTERMEDIATE CYLINDER IS CUSTOM MADE AS FLOOR THICKNESS MAY VARY FROM HOME TO HOME.
- ② INTERMEDIATE CYLINDER IS CUSTOM MADE AS ROOM HEIGHT MAY VARY FROM HOME TO HOME.
- ③ MINIMUM ALLOWABLE HEIGHT IS 2340mm
- ④ MINIMUM ALLOWABLE HEIGHT AS SHOWN FOR THIS TYPE OF INSTALLATION
- ⑤ INTERNAL DIAMETER OF CABIN WITHOUT THE COLUMNS IS 640mm AND THE INTERNAL CABIN HEIGHT IS 2007mm
- ⑥ DOOR WIDTH IS 508mm
- ⑦ MAX. ELEVATOR HEIGHT IS 10m

DETAIL "A"  
(TYPICAL OF FLOOR PENETRATION)



Information contain herein is the property of Pneumatic Vacuum Elevators LLC. No reproduction or disclosure of this information may be made by the recipient to any person or organization without the written consent of Pneumatic Vacuum Elevators LLC.

| Itemref.  | Quantity    | Material | Dimensions  | Article No./ Reference |
|---|-------------|----------|---|------------------------|
|  <b>PNEUMATIC VACUUM ELEVATORS LLC</b> |             |          | <b>TYPICAL HOME INSTALLATION FOR A 2STOP ELEVATOR</b> |                        |
|   | Designed by | Scale    | Drawing No.   | Rev                    |
|   | HS          | 1:1      | D-30-3CYL2  | 0                      |
|   |             |          | Date  |                        |
|   |             |          | 04/10/12  |                        |